



Standby & Prime: 50 Hz

Output Ratings	Standby	Prime
400-415 V, 3 ph., 50 Hz, 1500 rpm	2250.0 kVA /1800.0 kW	2000.0 kVA / 1600.0 kW
Ratings at 0.8 Power Factor		



Image shown might not reflect actual Genset

### ENGINE SPECIFICATIONS

Engine Make & Model	Perkins ,4016-61TRG2
Gross Engine Prime Power, KWm (hp)	1774.0 (2377.0)
Gross Engine Standby Power, KWm (hp)	1985.0 (2659.0)
Number of Cylinders, Arrangement / Cycle	16 , 60° Vee / 4 stroke
Aspiration	Turbocharged
Displacement, L (cu. in)	61.123 (3722.0)
Bore / Stroke, mm (in)	160.0 (6.3)/190.0 (7.5)
Governor Type	Electronic
Governor class	ISO 8528 - Class G3
Compression Ratio	13 : 1
Cooling Method	Water
Battery and Charger Alternator	24 VDC , 55Amp

### FUEL SYSTEM

Fuel filter	Full-flow spin-on fuel oil filters	
Recommended Fuel	Class A2 Diesel	
Fuel Consumption	<b>Prime</b>	<b>Standby</b>
Fuel Consumption 50% L/hr (US gal/hr)	208.0 (54.9)	
Fuel Consumption 75% L/hr (US gal/hr)	306.0 (80.8)	
Fuel Consumption 100% L/hr (US gal/hr)	405.0 (106.9)	463.0 (122.3)

### EXHAUST SYSTEM

	<b>Prime</b>	<b>Standby</b>
Exhaust gas flow at set rated load, m3/min	475.0	475.0
Exhaust gas temperature, °C	457	489
Maximum exhaust back pressure, kPa	3.0	

### AIR SYSTEM

	<b>Prime</b>	<b>Standby</b>
Combustion Air Flow: m3/min	158.0	175.0
Air Filter Type	Dry Element	

### ALTERNATOR SPECIFICATIONS

Make	Leroy Somer
Model	LSA52.3S6
Number of Poles	4
Type of Bearing	Single
Ingress Protection Rating	IP 23
Excitation System	AREP+PMI
Insulation Class	H
Winding Pitch	2/3
AVR Model	D550

### ALTERNATOR OPERATING DATA

Overspeed	2250 r.p.m
Voltage Regulation	± 0.25 %
Total Harmonic Distortion THD	No load < 4%,
Radio Interface	EN 61000-6-2 & EN 61000-6-4
Cooling Air Flow, m³/sec	2.5

### LUBRICATION SYSTEM

Oil Filter Type	Full-flow spin-on oil filters
Total Oil Capacity, L (US gal)	213.0 (56.26)
Oil Pan Capacity, L (US gal)	157.0 (41.47)
Oil Type	API CH4/CI4; SAE 15W-40

### COOLING SYSTEM

Coolant capacity (with radiator), L (US gal)	252.0 (66.6)
Fan load, KWm	90.0
Cooling system air flow, m3/min	2820.0

### CONTROL PANEL (STANDARD)

**Make:** Deep Sea

**Model:** DSE6120

The **DSE6120 MKII** is an Auto Mains (Utility) Failure Control Module suitable for a wide variety of single diesel or gas genset applications, the modules will display warnings, shutdown and engine status information on the back-lit LCD screen. This module can either be programmed using the front panel or by using the DSE configuration suite PC software.

#### Metering

- Generator frequency
- Generator volts (L-L, L-N)
- Generator/load power monitoring (kW, kVA, kVAR, pf)
- Generator current
- Engine oil pressure
- Engine coolant temperature
- Hours run counter
- Battery volts

#### Alarm indications and Communication

- Fail to start/stop
- Overspeed
- Low Oil Pressure
- High coolant temperature
- Low DC voltage
- Emergency stop
- Fuel level (Warning or shutdown) - Optional
- Analog Inputs.
- Digital Input/output
- CAN diagnostics and CAN fail/error
- Ingress Protection IP65.



### SOUND ATTENUATED AND WEATHER PROTECTIVE HIGH CUBE 40 FT ISO CONTAINER

#### CONSTRUCTION

- ISO CSC certified container.
- C- channel base frame with cross members.
- Sides of 2.00mm thick corrugated MS sheet, 50mm thick inner lining of Rockwool of 80 Kg. / CUM density, covered with 0.7mm thick perforated GI sheet, MS 2.7mm Chequered Plate fixed on the floor.
- Optional Base fuel tank of 2000Litre Capacity.
- Connection for Fuel Filling, oil and radiator drain brought to container edges.
- 3-coat paint, using polyurethane / epoxy based primer & topcoat.

#### CONVENIENT ACCESS FOR MAINTENANCE

- Double-winged Main doors with SS padlock for wide access.
- Radiator fill access on the roof top.
- Container shall be fixed with 2 Nos. of Single doors with SS hinges.
- Internal light fittings 3-4.

#### TRANSPORTABILITY

- (8 pcs ISO Locked) Lifting lugs on top and bottom to move genset easily.
- Standard forklift pockets.

#### SECURITY AND SAFETY

- Transparent Control panel viewing window in a lockable access door.
- Emergency stop push-button (red) fixed on each side of the container.
- Cooling fan and battery charging alternator fully guarded.
- Fuel fill and battery can only be reached via lockable access doors.
- Exhaust system insulated inside and Mufflers fitted on top of the container.
- Earthling boss at opposite corners provided on the skid base.

#### SOUND PRESSURE LEVEL

- Noise Pressure level tested ~ 75 - 85 dBA@ 7m
- Customized Containers available upon request.

### STANDARD FEATURES

#### FILTRATION SYSTEM

- Air filter
  - Fuel filter
  - Full flow lube oil filter
- All filters have replaceable elements

#### GENSET MOUNTED RADIATOR

Radiator and cooling fan, complete with safety guards, designed to cool the engine at high ambient temperatures.

#### BASE FRAME

Heavy Duty Base frame with built-in tank & forklift pockets.

#### EXHAUST SYSTEM

Heavy duty Silencer.

#### ANTI-VIBRATION MOUNTING PADS

Anti-Vibration pads are affixed between the Engine / Alternator feet and the Base frame thus ensuring complete vibration isolation of the rotating assembly.

#### SAFETY GUARDS

The Fan & Fan Drive along with the Battery Charging Alternator are Safety Guard protected for personnel protection.

#### CIRCUIT BREAKER TYPE

ABB/equivalent 3 pole ACB.

#### STARTING BATTERIES

Set of Lead Acid Starting Battery, Tray and Leads.

#### STANDARD FACTORY TESTS

Generators are load tested and inspected before dispatched.

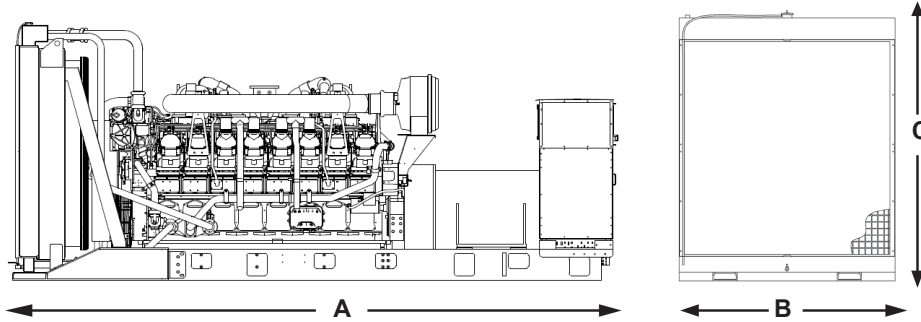
#### DOCUMENTATIONS

Operation & Maintenance manual, wiring diagrams.

#### WARRANTY

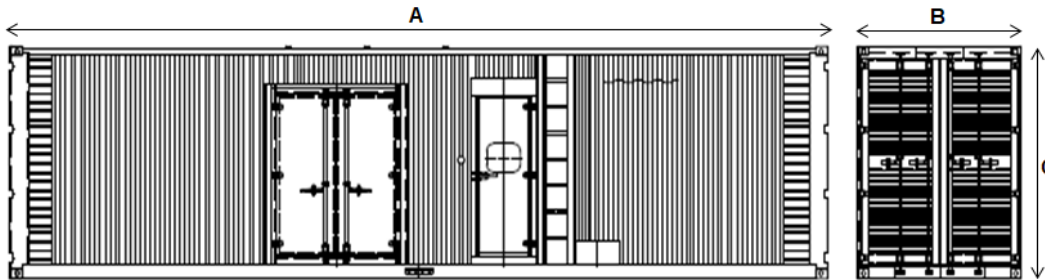
All of the Generating Sets are covered under a warranty policy:  
**PRIME:** One Year or 3000 hours whichever occur first.  
**STANDBY:** Two Years limited to 500 hours annual operation.  
(check warranty statement for more details)

### WEIGHTS & DIMENSIONS



Note: General configuration not to be used for installation. See general dimension drawings for detail.

GENSET TYPE	Dim "A" mm (in)	Dim "B" mm (in)	Dim "C" mm (in)	Dry Weight kg (lb)	Wet Weight kg (lb)
OPEN	6350 (250.00)	2400 (94.48)	2800 (110.23)	17000 (37478)	17465 (38503)
40ft CONTAINER	12192 (480.00)	2438 (95.98)	3000 (118.11)	22500 (49604)	22965 (50629)



**APPLICABLE MANUFACTURERS COMPONENTS STANDARDS:** CSA C22.2 n°100-14 and UL 1446., IEC60034-1, ISO3046, ISO8528, NEMA MG1.32-33 , IEC 61000-6-2, IEC 61000-6-3, IEC 61000-6-4, VDE 0875G, VDE 0875N and EN 55011

Note: Please refer to technical data sheets for more applicable standards.

**STANDBY (ESP):** Output available with varying load in the event of a utility power failure (Emergency). Typical operation is 200 hours per year, No overload is permitted on these ratings.

**PRIME (PRP):** Output available with varying load for an unlimited time. Typical peak demand is 100% of prime rated kW with 10% overload capability for emergency use for a maximum of 1 hour in 12 hours. Overload operation cannot exceed 25 hours per year as per ISO8528.

**RATINGS:** Ratings are based on SAE J1349 standard conditions. These ratings also apply at ISO3046 standard conditions.